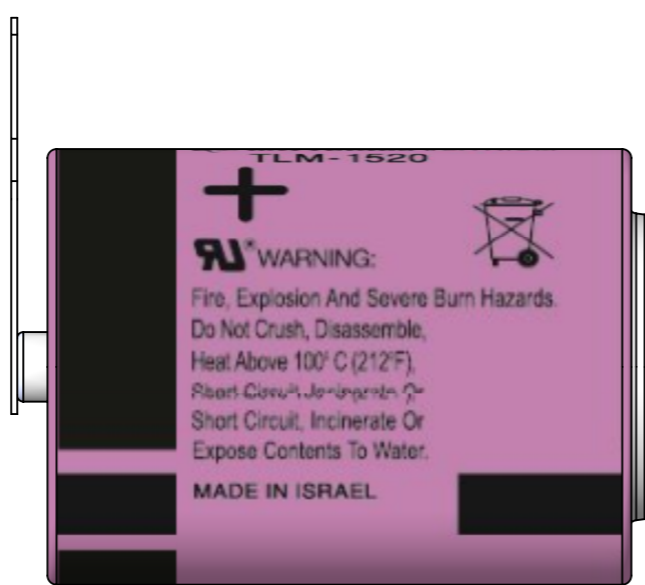
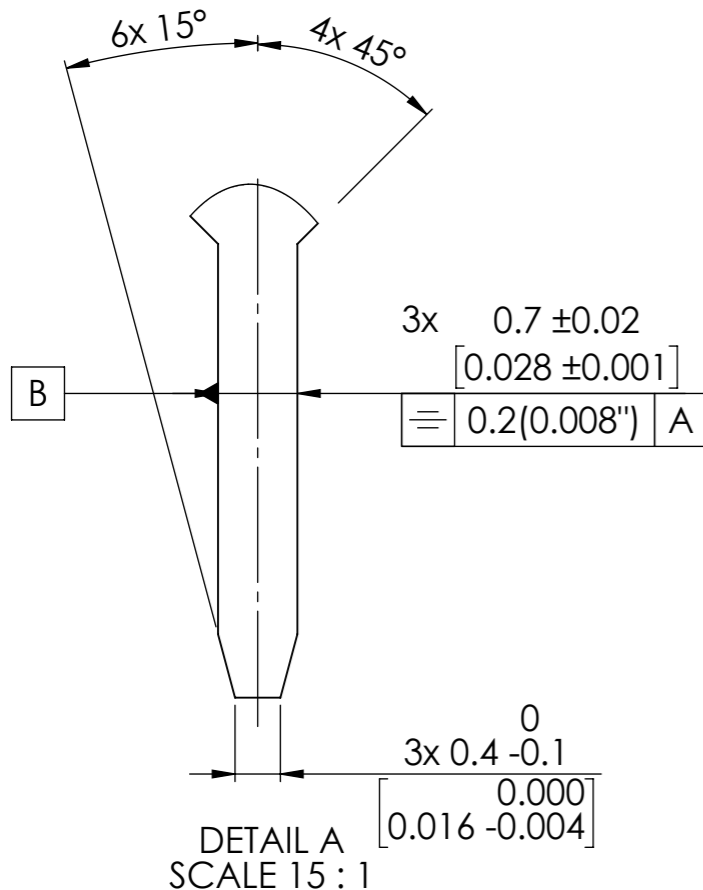
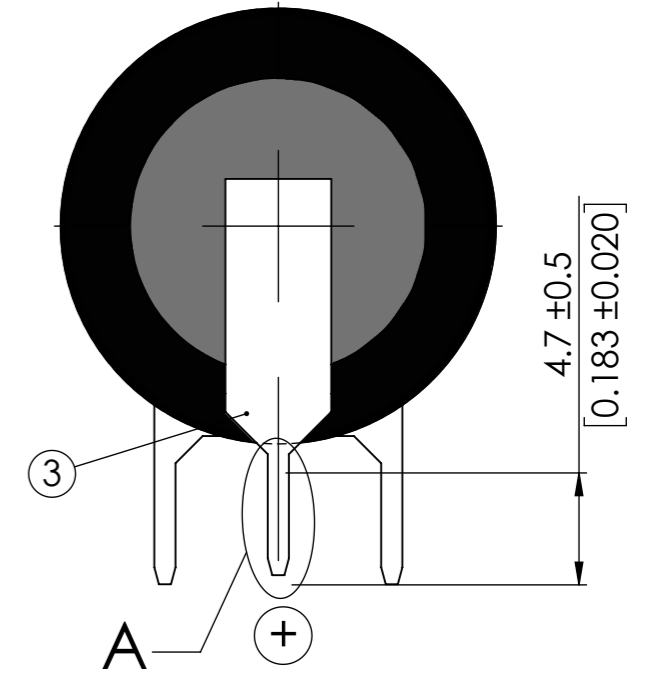
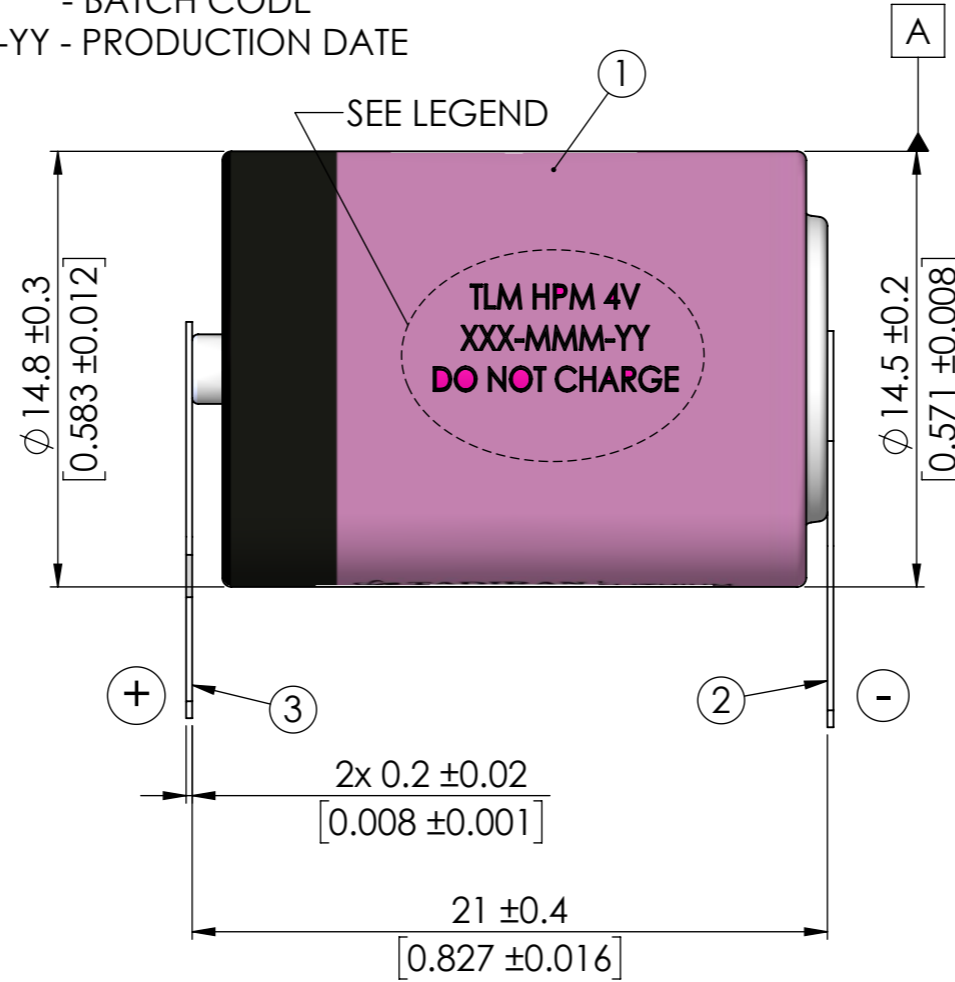
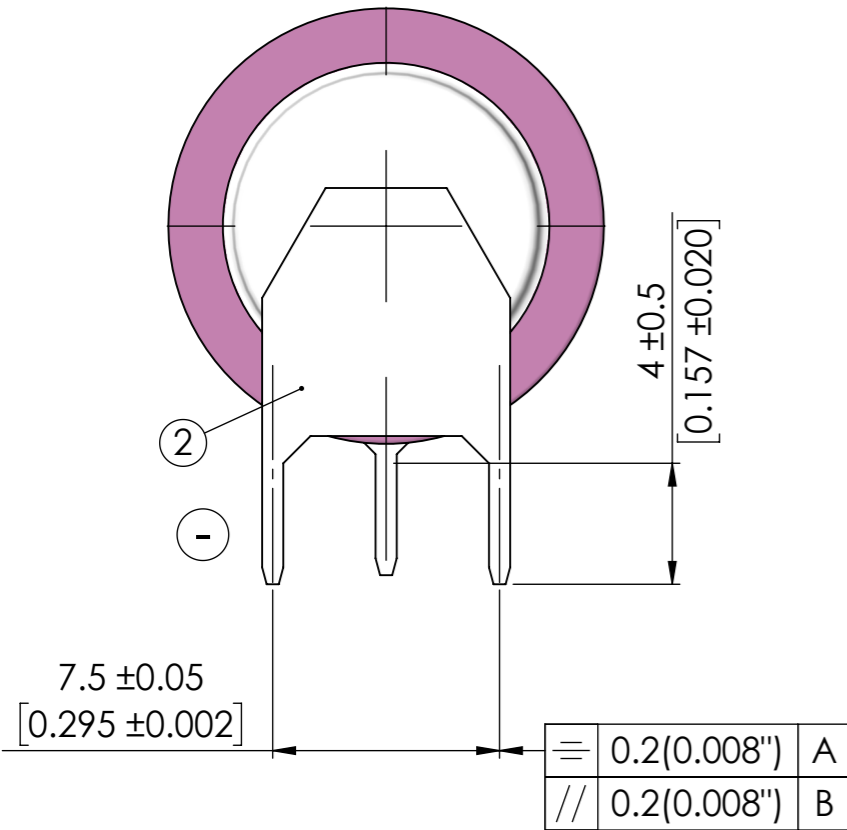


**WARNING!**  
 ALL THE INFORMATION CONTAINED IN THIS DOCUMENT OR DISCLOSED BY IT IS THE PROPERTY OF TADIRAN BATTERIES LTD. AND MAY NOT BE USED WITHOUT ITS WRITTEN AUTHORIZATION.

**LEGEND:**  
 TLM HPM - CELL MODEL  
 4V - NOMINAL VOLTAGE  
 XXX - BATCH CODE  
 MMM-YY - PRODUCTION DATE

REV.	DESCRIPTION	E.C.N.	DATE	DRAWN	CHECKED
A	NEW DRAWING	6103297	06/12/2017	PETER	EITAN



**ELECTRICAL CHARACTERISTICS:**

- 1) OPEN CIRCUIT VOLTAGE: 3.95V TO 4.07
- 2) CLOSED CIRCUIT VOLTAGE @0.1SEC 0.5A: 3.88V MIN.
- 3) DISCHARGE CAPACITY TO 2.8V @20mA: 500mAh
- 4) DISCHARGE CAPACITY TO 2.8V @500mA: 430mAh
- 5) MAX. DISCHARGE CURRENT FOR 1SEC PULSE TO 2.6V: 5A
- 3) OPERATING VOLTAGE: -40 °C TO +85 °C
- 4) WEIGHT MAXIMUM: 20gr

3	15510231196	POLARIZED TAB SINGLE TIP	STAINLESS STEEL EN 1.4301 (AISI 304) TINNED TIPS	PC	1	
2	15510231195	POLARIZED TAB TWIN TIP		PC	1	
1	72152311020	TLM-1520HPM		PC	1	
	PART NUMBER	NAME	DESCRIPTION	U/M	QTY	NOTES

UNLESS OTHERWISE SPECIFIED:		<b>TLM-1520HPM/TP</b> <b>BATTERY</b> P/N : 72152332000		OPERATION															
ALL DIMENSIONS ARE IN MM.																			
TOLERANCES: LINEAR: ±0.5 ANGLES: ±1°																			
ROUGHNESS: 																			
SCALE: NON		PROD/PROJ: .		<table border="1"> <tr> <td>DRAWN</td> <td>Peter Faigenboim</td> <td>06/12/2017</td> <td rowspan="4">SHEET/OF</td> </tr> <tr> <td>DESIGNED</td> <td>Peter Faigenboim</td> <td>06/12/2017</td> </tr> <tr> <td>CHECKED</td> <td>Eitan Pinhasi</td> <td>06/12/2017</td> </tr> <tr> <td>APPROVED</td> <td>Eitan Pinhasi</td> <td>06/12/2017</td> </tr> </table>			DRAWN	Peter Faigenboim	06/12/2017	SHEET/OF	DESIGNED	Peter Faigenboim	06/12/2017	CHECKED	Eitan Pinhasi	06/12/2017	APPROVED	Eitan Pinhasi	06/12/2017
DRAWN	Peter Faigenboim	06/12/2017	SHEET/OF																
DESIGNED	Peter Faigenboim	06/12/2017																	
CHECKED	Eitan Pinhasi	06/12/2017																	
APPROVED	Eitan Pinhasi	06/12/2017																	
		<b>72152332001</b>																	