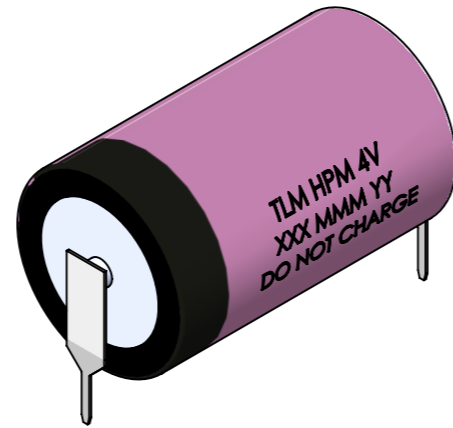
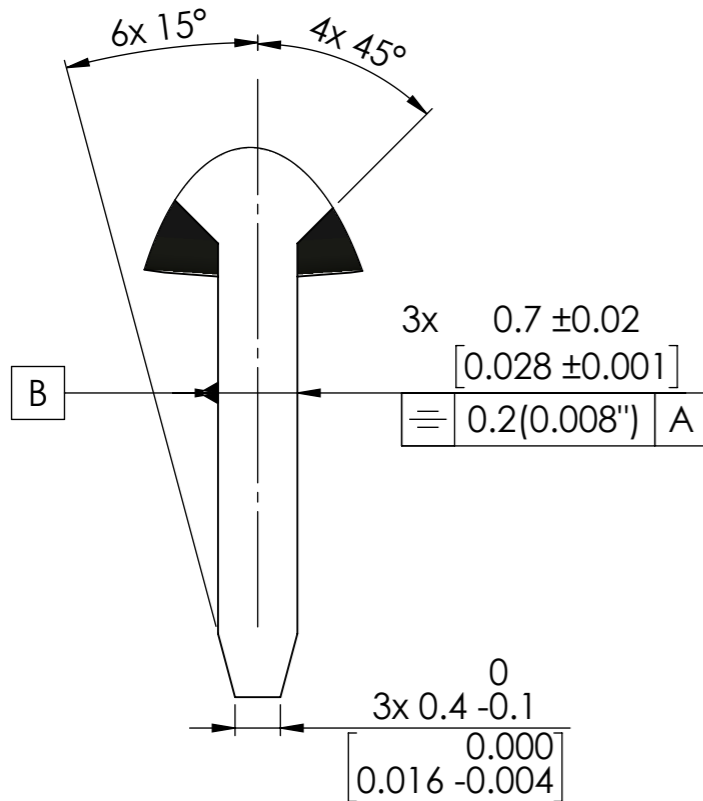
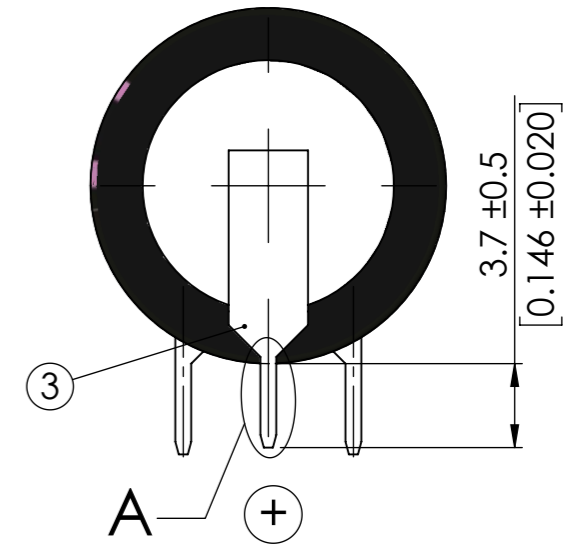
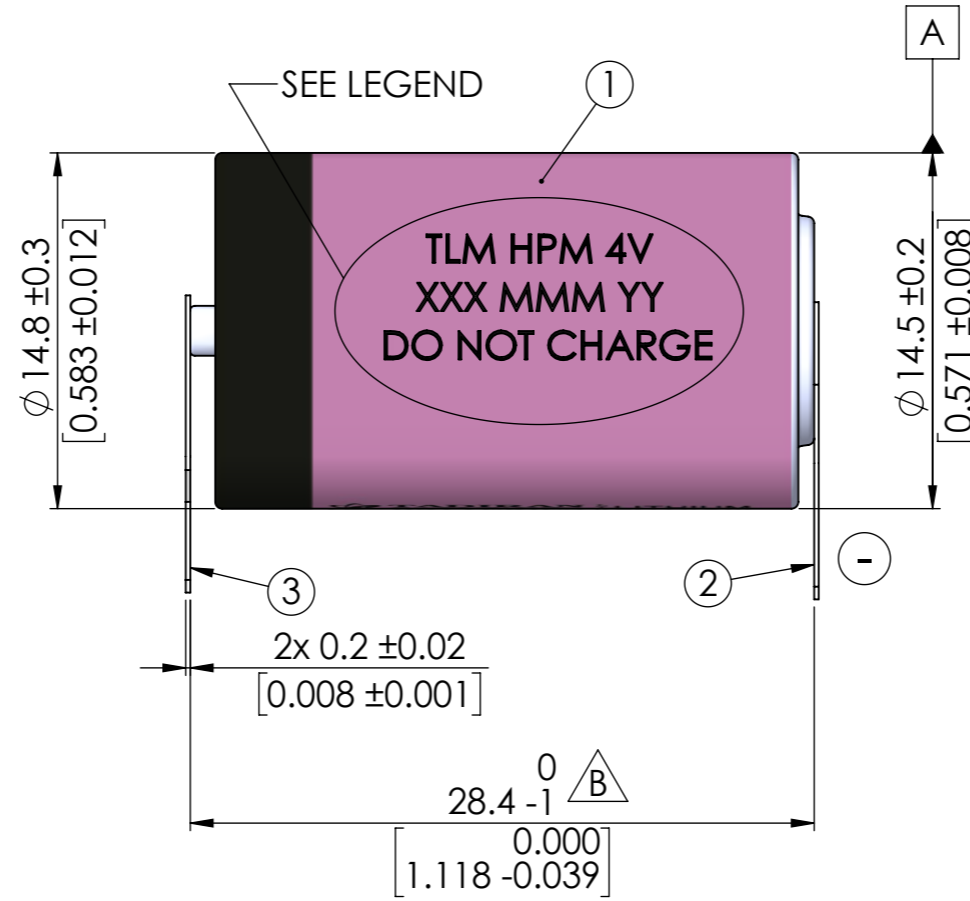
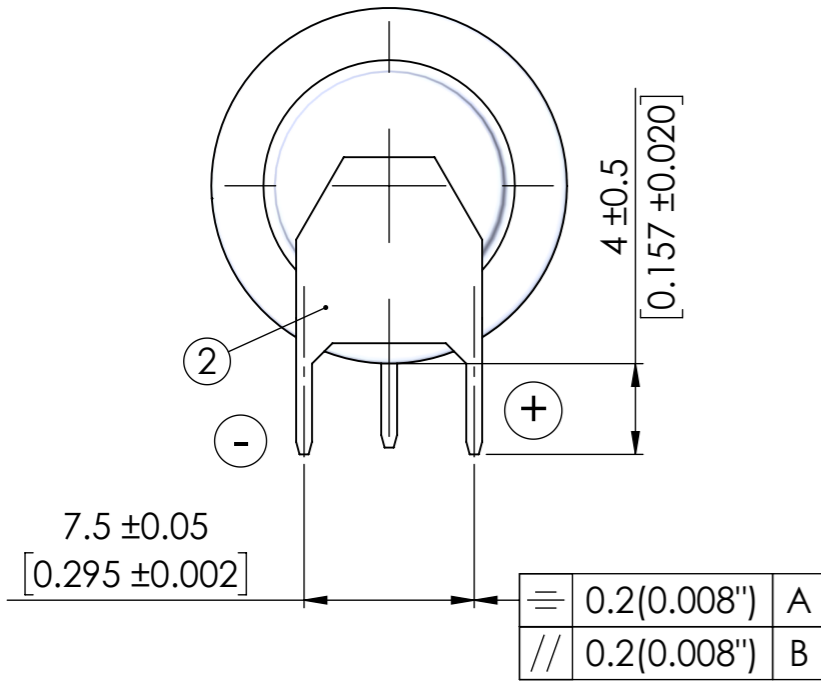


WARNING!
 ALL THE INFORMATION CONTAINED IN THIS DOCUMENT OR DISCLOSED BY IT IS THE PROPERTY OF TADIRAN BATTERIES LTD. AND MAY NOT BE USED WITHOUT ITS WRITTEN AUTHORIZATION.

LEGEND:
 TLM HPM - CELL MODEL
 4V - NOMINAL VOLTAGE
 XXX - BATCH CODE
 MMM-YY - PRODUCTION DATE

REV.	DESCRIPTION	E.C.N.	DATE	DRAWN	CHECKED
A	NEW DRAWING	6103040	09/10/2016	PETER	EITAN
B	DIMENSION UPDATED	6103345	18/01/2018	PETER	EITAN



ELECTRICAL CHARACTERISTICS:
 1) NOMINAL VOLTAGE: 4V

3	15510231196	POLARIZED TAB SINGLE TIP	STAINLESS STEEL EN 1.4301 (AISI 304) TINNED TIPS	PC	1	
2	15510231195	POLARIZED TAB TWIN TIP		PC	1	
1	72153322020	TLM-1530HPM		PC	1	
	PART NUMBER	NAME	DESCRIPTION	U/M	QTY	NOTES

UNLESS OTHERWISE SPECIFIED:		TLM-1530HPM/TP BATTERY P/N : 72153332000		OPERATION		
ALL DIMENSIONS ARE IN MM.						
TOLERANCES: LINEAR: ± 0.5 ANGLES: $\pm 1^\circ$						
ROUGHNESS: 						
SCALE: NON		PROD/PROJ: .				
		DRAWN		Peter Faigenboim	09/10/2016	SHEET/OF 01/01
		DESIGNED		Peter Faigenboim	09/10/2016	
		CHECKED		Eitan Pinhasi	09/10/2016	
		APPROVED		Eitan Pinhasi	09/10/2016	
72153332001						